

Article datasheet

## Handle 120/39/23mm for M6 Polyamid 6,black

Article-No.: 029.55.120

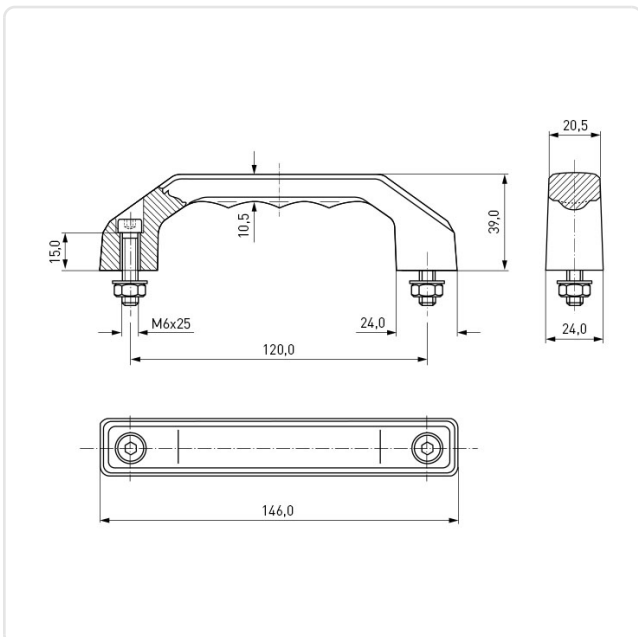


Image may be similar

Color:	Black
Dist. Mounting Holes [mm]:	120
Height [mm]:	39
Material:	PA 6.0
Material Group:	Plastic
Model:	Collapsible Handle
Width [mm]:	24
Weight:	82g
Conformities:	



You can find all information on the web on our article detail page



Would you like individual advice?

We look forward to your email to [products@ettinger.de](mailto:products@ettinger.de).

Subject to change and errors.