

Article datasheet

Fuse Holder 5x20mm/10A 250V Polyester UL94V-0

Article-No.: 015.08.552

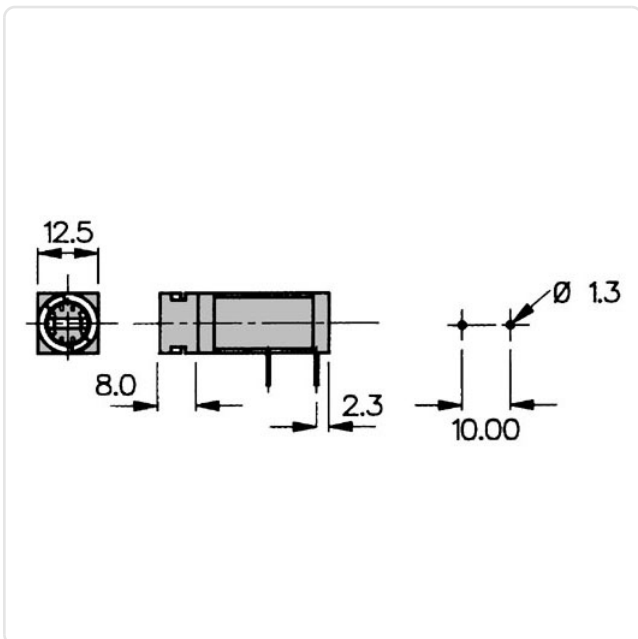


Image may be similar

Amperage [A]: 10
Fuse Size [mm]: 5.0x20.0
Material: PES - Polyester
Model: Fuse Holder
Protection Code: IP40
Weight: 7.2g
Conformities:



You can find all
information on the web on
our article detail page



Would you like individual advice?

We look forward to your email to products@ettinger.de.

Subject to change and errors.