

Article datasheet

## Press Nut M4 | SW7x3.2 A1 Plain Stainless Steel

Article-No.: 002.14.249

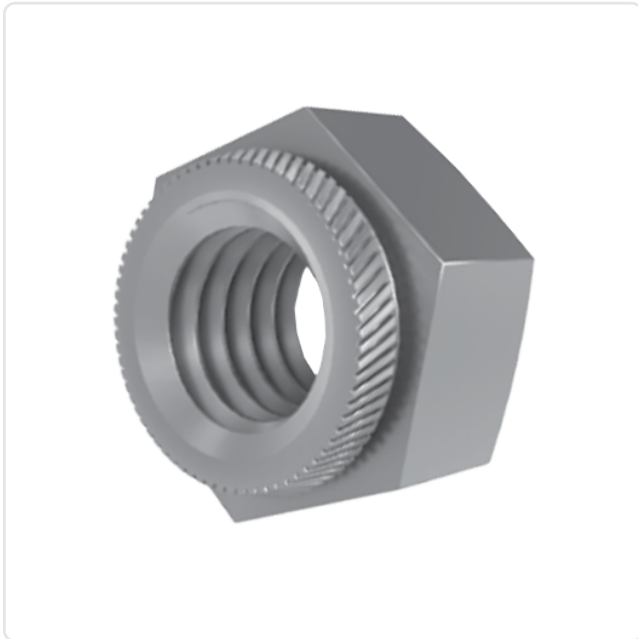


Image may be similar

|                       |                               |
|-----------------------|-------------------------------|
| AF / OD [mm]:         | 7                             |
| Finish:               | Plain                         |
| Height [mm]:          | 3.2                           |
| Material:             | Stainless Steel AISI 303 / A1 |
| Material Group:       | Stainless Steel               |
| Panel Hole Ø [mm]:    | 5.5                           |
| Panel Thickness [mm]: | 1                             |
| Thread Size:          | M4                            |
| Weight:               | 0.6g                          |
| Conformities:         |                               |



You can find all  
information on the web on  
our article detail page

Would you like individual advice?

We look forward to your email to [products@ettinger.de](mailto:products@ettinger.de).

Subject to change and errors.

