

Article datasheet

Thread Insert M6 | 13.0 Polyamide 6.6 natural

Article-No.: 002.19.963

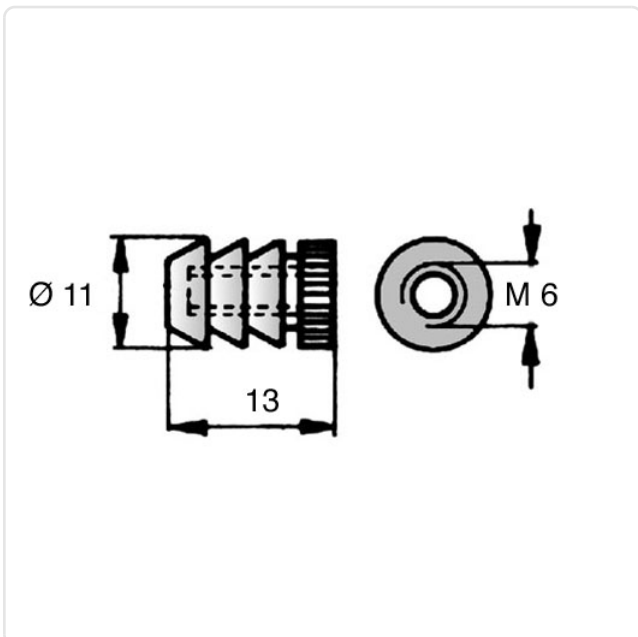


Image may be similar

Length [mm]: 13
Material: PA 6.6
Material Group: Kunststoff
Panel Hole Ø [mm]: 9.5
Thread Size: M6
Weight: 0.8g
Conformities:



You can find all
information on the web on
our article detail page



Would you like individual advice?

We look forward to your email to products@ettinger.de.

Subject to change and errors.