

Article datasheet

Insulation Sleeve for countersunk screw M10 white

Article-No.: 003.28.107

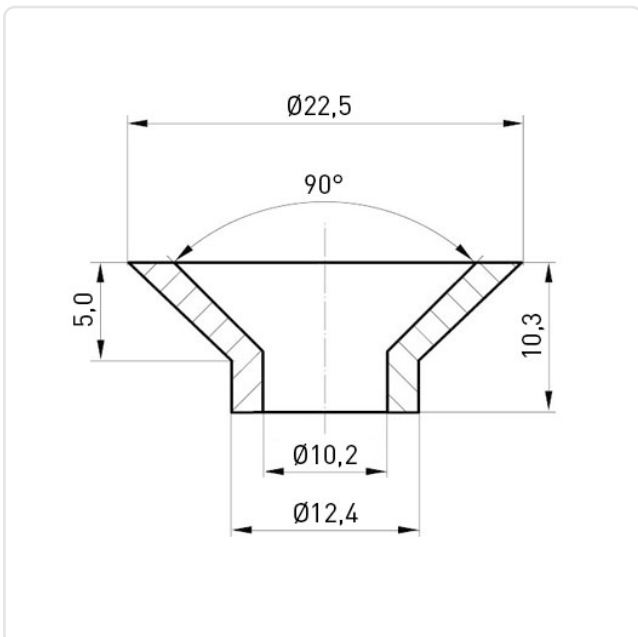


Image may be similar

Inner Diameter [mm]: 10.2
Lug Diameter [mm]: 12.4
Material: PA 6.0
Material Group: Plastic
Model: Insulating Sleeve for Countersunk Screw
Outer Diameter [mm]: 22.5
Weight: 0.6g
Conformities:



You can find all
information on the web on
our article detail page



Would you like individual advice?

We look forward to your email to products@ettinger.de.

Subject to change and errors.