

Article datasheet

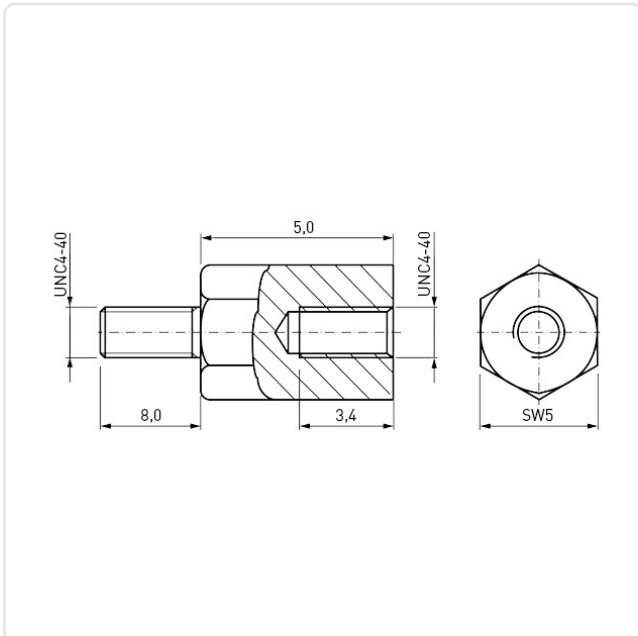
Standoff Nickel-Plated Brass M/F AF5x5 F=4-40x3.4 M=4-40x8 w/ UC

Article-No.: 009.44.755



Image may be similar

AF / OD [mm]:	5
Female Thread Length [mm]:	3.4
Female Thread Size:	UNC4-40
Finish:	Nickel-Plated, 3 µm, E1E
Length [mm]:	5
Male Thread Length [mm]:	8
Male Thread Size:	UNC4-40
Material:	Brass CW614N / CuZn39Pb3
Material Group:	Brass
Profile:	Hexagonal
Undercut:	Yes
Weight:	0.99g
Conformities:	



You can find all information on the web on our article detail page

Would you like individual advice?

We look forward to your email to products@ettinger.de.

Subject to change and errors.