

Article datasheet

## Solder Terminal Pin 1.8x7.5mm Brass tinned 0.4mm - 400 pcs wired

Article-No.: 013.30.225

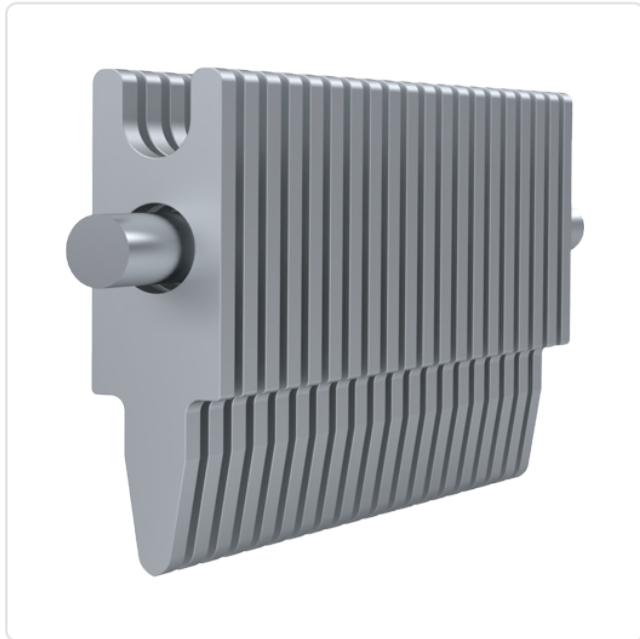
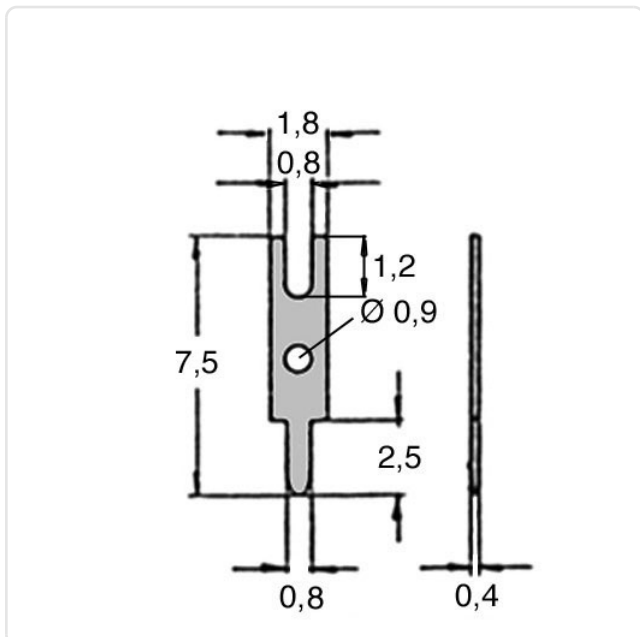


Image may be similar

Diameter [mm]:	1.8
Finish:	Tin-Plated
Length [mm]:	7.5
Material:	Brass CW508L / CuZn37, lead-free
Material Group:	Messing
Model:	flat
PCB Hole Ø [mm]:	0.7
Weight:	0.03g
Conformities:	



You can find all information on the web on our article detail page



Would you like individual advice?

We look forward to your email to [products@ettinger.de](mailto:products@ettinger.de).

Subject to change and errors.