

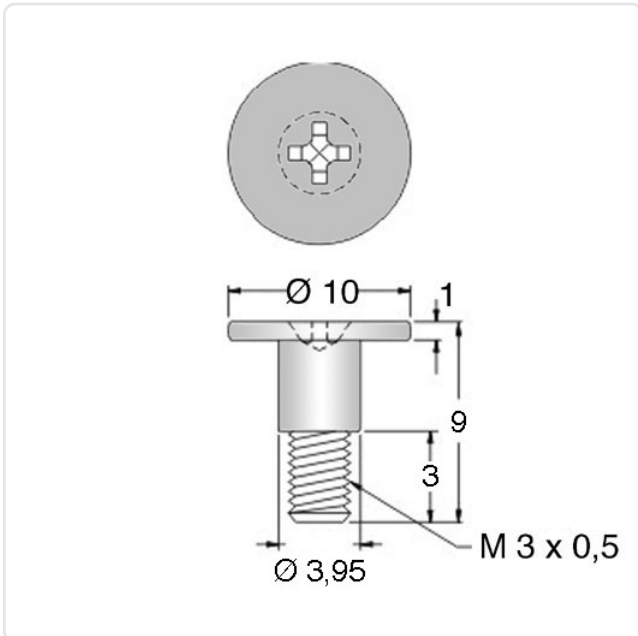
Article datasheet

## Collar Screw M3 x 8 Nickel-Plated Steel 4.8 Cross Recess

Article-No.: 001.73.530



Image may be similar



Actuator Size:	Phillips PH1
Drive Type:	Cross Recess / Phillips-H
Finish:	Nickel-Plated, 3 µm, E1E
Head Diameter [mm]:	10
Head Height [mm]:	1
Length [mm]:	8
Material:	Steel 4.8
Material Group:	Steel
Reduced Shank Length [mm]:	5
Thread Size:	M3
Weight:	1.16g
Conformities:	



You can find all  
information on the web on  
our article detail page

Would you like individual advice?

We look forward to your email to [products@ettinger.de](mailto:products@ettinger.de).

Subject to change and errors.