

Article datasheet

Flat Head Screw ISO1580 M4x40 PA-66 Slotted Pan Head

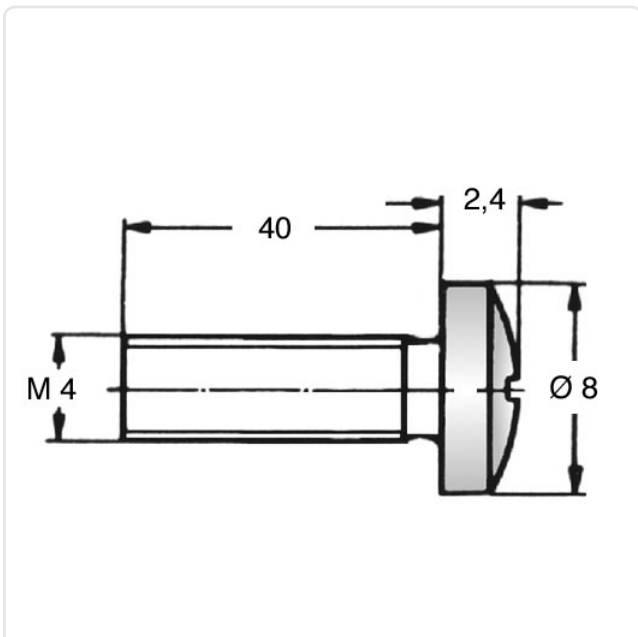
Article-No.: 001.45.498



Color:	Natural
DIN/ISO:	DIN85 / ISO1580
Drive Type:	Slotted
Flammability Class:	UL94-V2
Head Diameter [mm]:	8
Head Height [mm]:	2.4
Head Shape:	Pan Head
Length [mm]:	40
Material:	PA 6.6
Material Group:	Plastic
Thread Size:	M4
Weight:	0.52g
Conformities:	



Image may be similar



You can find all
information on the web on
our article detail page

Would you like individual advice?

We look forward to your email to products@ettinger.de.

Subject to change and errors.