

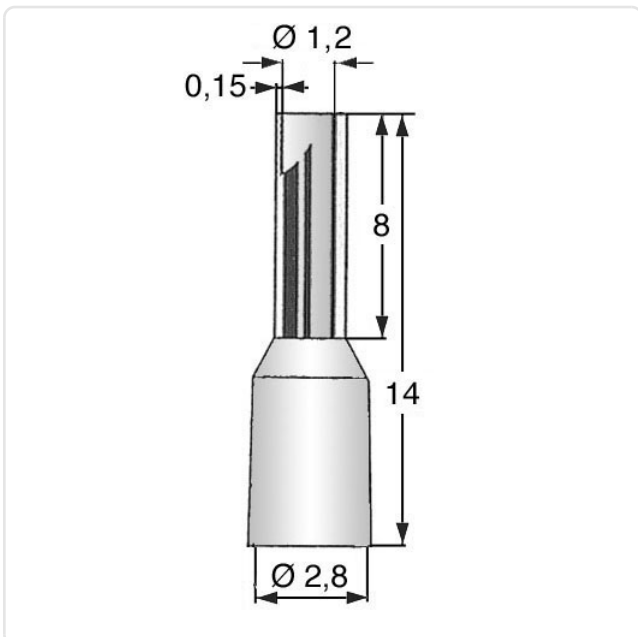
Article datasheet

## End-Sleeve 0.75mm<sup>2</sup>/8mm Polypropylen,white

Article-No.: 018.80.072



Image may be similar



Color:	White
Finish:	Tin-Plated
Insulation:	Polypropylene
Length [mm]:	14
Material:	Electrolytic Copper
Material Group:	Kupfer
Plug-In Length [mm]:	8
Wire Cross Section [mm <sup>2</sup> ]:	0.75
Weight:	0.08g
Conformities:	



You can find all information on the web on our article detail page

Would you like individual advice?

We look forward to your email to [products@ettinger.de](mailto:products@ettinger.de).

Subject to change and errors.