

Article datasheet

## IEC Power Inlet Snap-In Mounting Fuseholder Switch I/O 2pole

Article-No.: 044.50.312



Image may be similar

Amperage [A]: 10  
Color: Black  
Connections: 6.3x0.8  
Fuse Size [mm]: 5.0x20.0  
Model: Plug, Snap-In Mounting  
Weight: 54.7g  
Conformities:

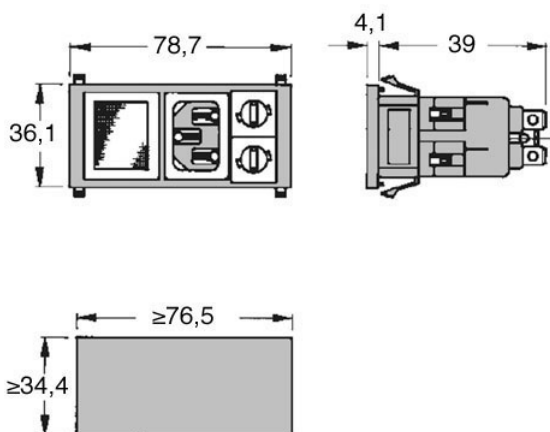


You can find all information on the web on our article detail page

Would you like individual advice?

We look forward to your email to [products@ettinger.de](mailto:products@ettinger.de).

Subject to change and errors.



Chassisdicke 1,0; 1,5; 2,0; 3,0 mm