

Article datasheet

## Knurled Knobs / for Hex Screws / $\varnothing 17\text{mm} \times 6.5\text{mm}$ / black

Article-No.: 002.39.050

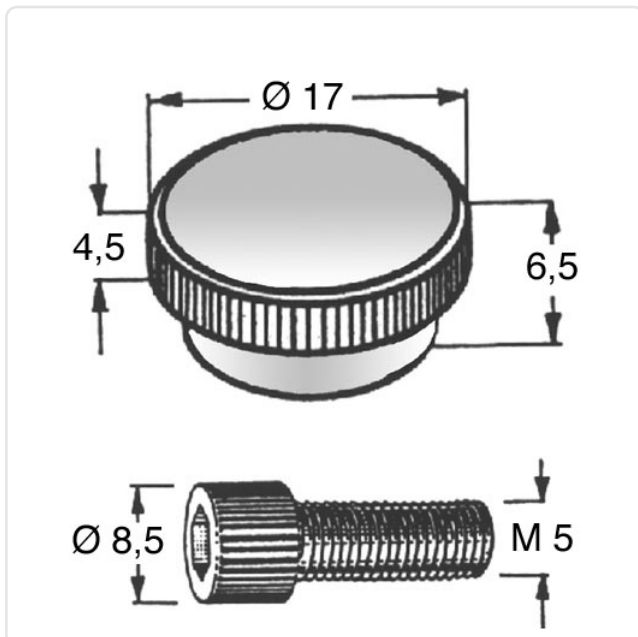


Image may be similar

Color: Black  
Diameter [mm]: 17  
Flammability Class: UL94-HB  
Height [mm]: 6.5  
Material: POM - Polyoxymethylene  
Material Group: Plastic  
Thread Size: M5  
Weight: 1.11g  
Conformities:



You can find all information on the web on our article detail page



Would you like individual advice?

We look forward to your email to [products@ettinger.de](mailto:products@ettinger.de).

Subject to change and errors.