

Article datasheet

Strain Relief Clamp 21x18/2x \varnothing 7mm fixed by selftaping screws 4.2x19mm

Article-No.: 071.17.210

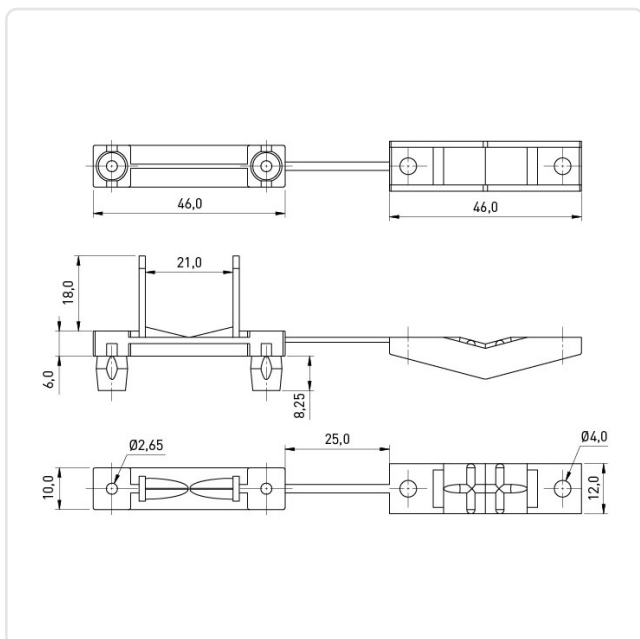


Image may be similar

Color: Black
 Material: PA 6.0
 Material Group: Plastic
 Max. Panel Thickness [mm]: 1.5
 Panel Thickness Range [mm]: 17x21
 Weight: 5.18g
 Conformities:



You can find all information on the web on our article detail page



Would you like individual advice?

We look forward to your email to products@ettinger.de.

Subject to change and errors.