

Article datasheet

## Tubular Rivet DIN7340 A 3.0x0.25x6.0 Silver-Plated Brass

Article-No.: 019.73.069

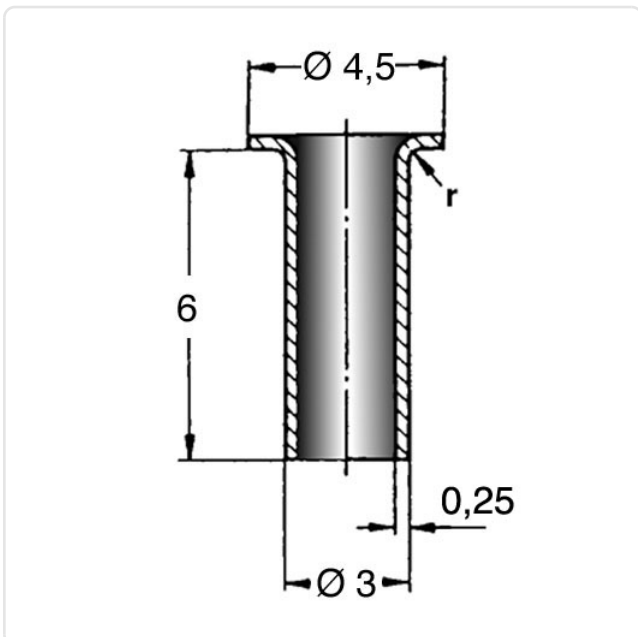


Image may be similar

DIN/ISO: DIN7340A  
Finish: Silver-Plated  
Head Diameter [mm]: 4.5  
Length [mm]: 6  
Material: Brass  
Rivet Diameter [mm]: 3  
Wall Thickness [mm]: 0.25  
Weight: 0.14g  
Conformities:



You can find all information on the web on our article detail page



Would you like individual advice?

We look forward to your email to [products@ettinger.de](mailto:products@ettinger.de).

Subject to change and errors.