

Article datasheet

Flat Washer DIN433/ISO7092 Ø3.2/6.0 x 0.5 Polyamide 6 natural

Article-No.: 003.10.030

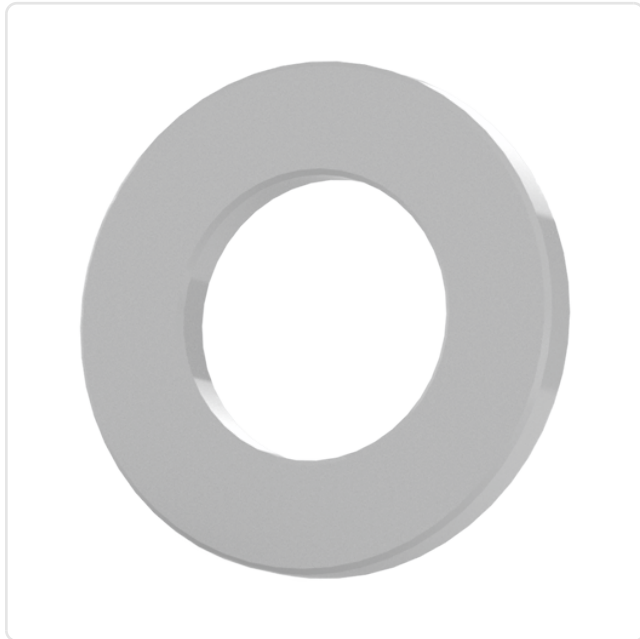
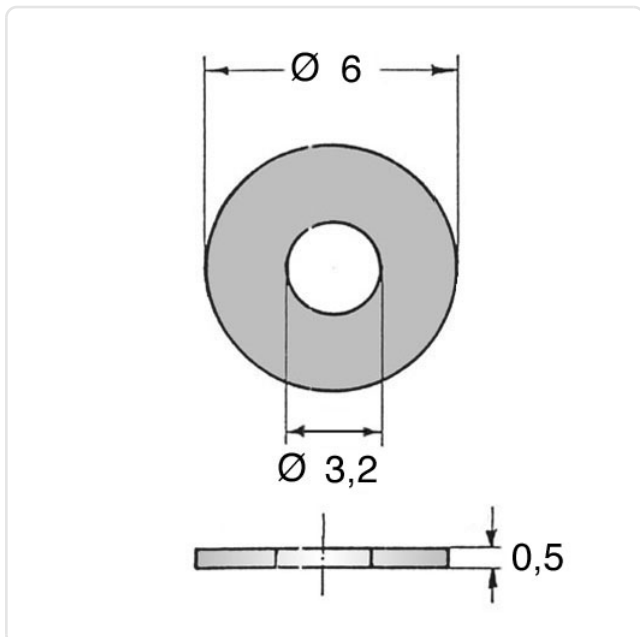





Image may be similar



Color:	Natural
DIN/ISO:	DIN433 / ISO7092
For Thread Size:	M3
Height [mm]:	0.5
Inner Diameter [mm]:	3.2
Material:	PA 6.0
Material Group:	Plastic
Outer Diameter [mm]:	6
Weight:	0.02g
Conformities:	  



You can find all
information on the web on
our article detail page

Would you like individual advice?

We look forward to your email to products@ettinger.de.

Subject to change and errors.