

Article datasheet

## Insulated Standoff PBS-Steel M/M AF6x30 | Thread M3x7 / M3x7

Article-No.: 005.36.330

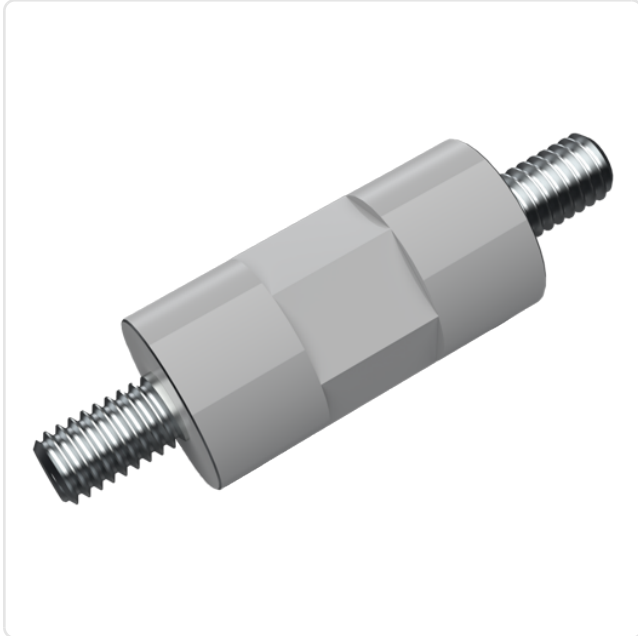
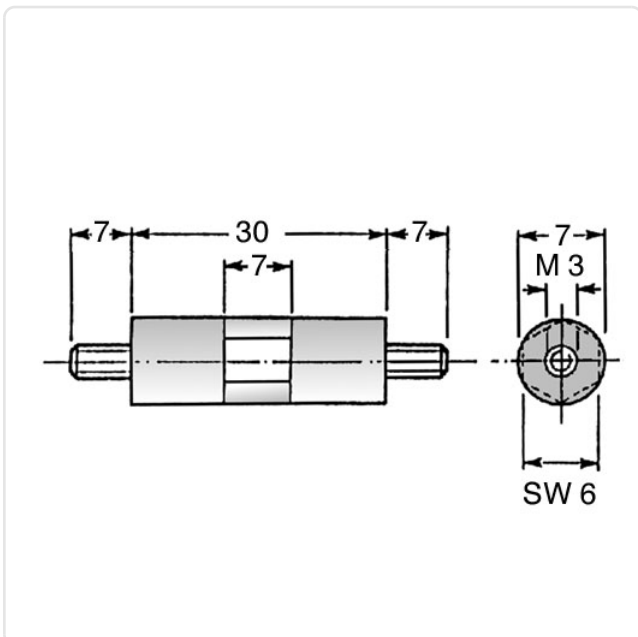


Image may be similar

AF / OD [mm]: 6  
Flammability Class: UL94-HB  
Length [mm]: 30  
Material: PS - Polystyrene  
Profile: Hexagonal  
Thread 1 Length [mm]: 7  
Thread 1 Size: M3  
Thread 2 Length [mm]: 7  
Thread 2 Size: M3  
Thread Insert Material: Steel  
Weight: 2.45g  
Conformities:



You can find all information on the web on our article detail page



Would you like individual advice?

We look forward to your email to [products@ettinger.de](mailto:products@ettinger.de).

Subject to change and errors.