

Article datasheet

## Lock Nut DIN985/ISO10511 M3 A2 Plain Stainless Steel

Article-No.: 002.08.503

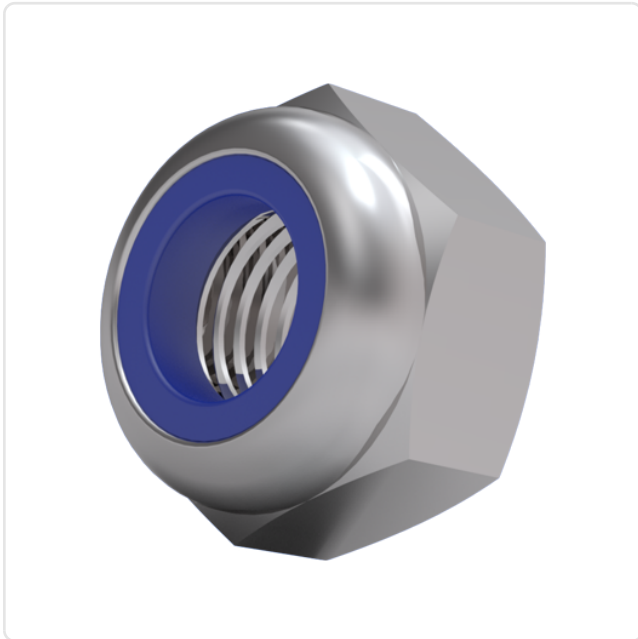
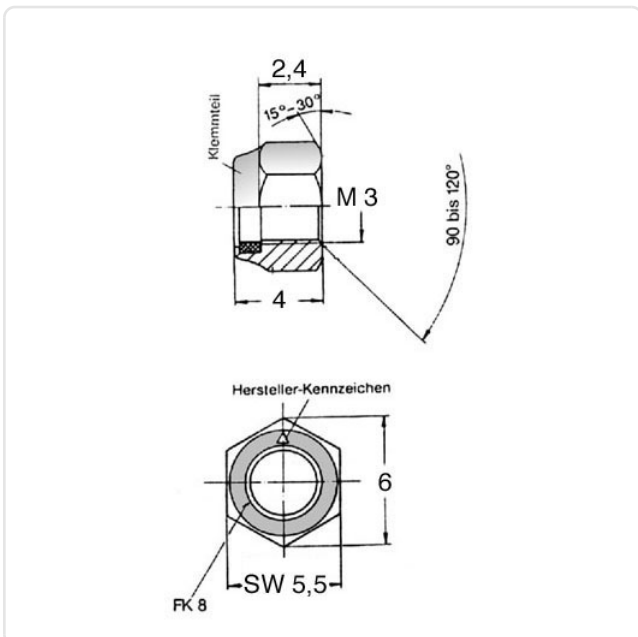


Image may be similar

AF / OD [mm]: 5.5  
DIN/ISO: DIN985 / ISO10511  
Finish: Plain  
Height [mm]: 4  
Material: Stainless Steel AISI 304 / A2  
Material Group: Stahl rostfrei  
Thread Size: M3  
Weight: 0.46g  
Conformities:



You can find all information on the web on our article detail page



Would you like individual advice?

We look forward to your email to [products@ettinger.de](mailto:products@ettinger.de).

Subject to change and errors.