

Article datasheet

Fast On Receptacle 6.3x0.8mm 1.5-2,5mm² PVC blue UL listed E329381 AWG16-14

Article-No.: 012.68.216

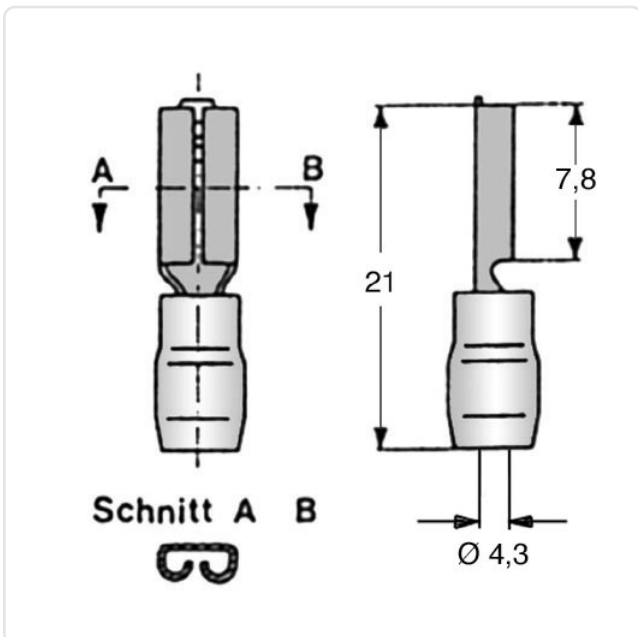


Image may be similar

Color:	Blue
DIN/ISO:	DIN46245
Finish:	Tin-Plated
Insulation:	PVC
Length [mm]:	21
Material:	Brass
Material Group:	Messing
Size [mm]:	6.3x0.8
Wire Cross Section [mm ²]:	1.5-2.5
Weight:	1.08g
Conformities:	



You can find all
information on the web on
our article detail page



Would you like individual advice?

We look forward to your email to products@ettinger.de.

Subject to change and errors.