

Article datasheet

Modular Housing

Article-No.: 088.18.134

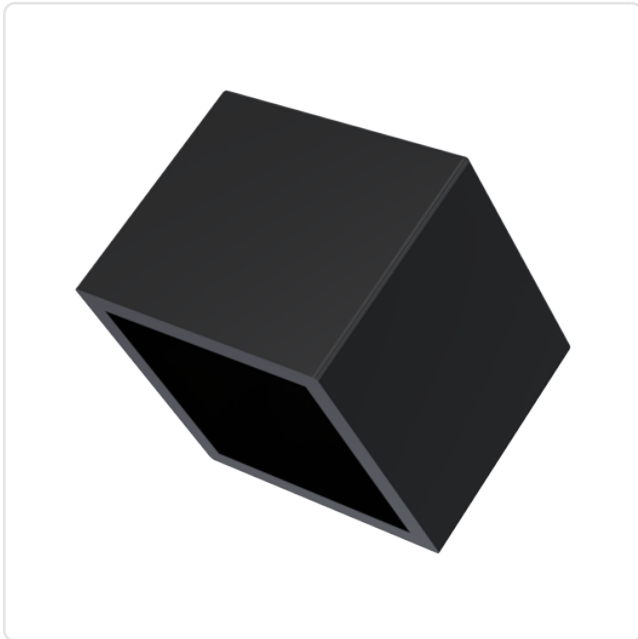
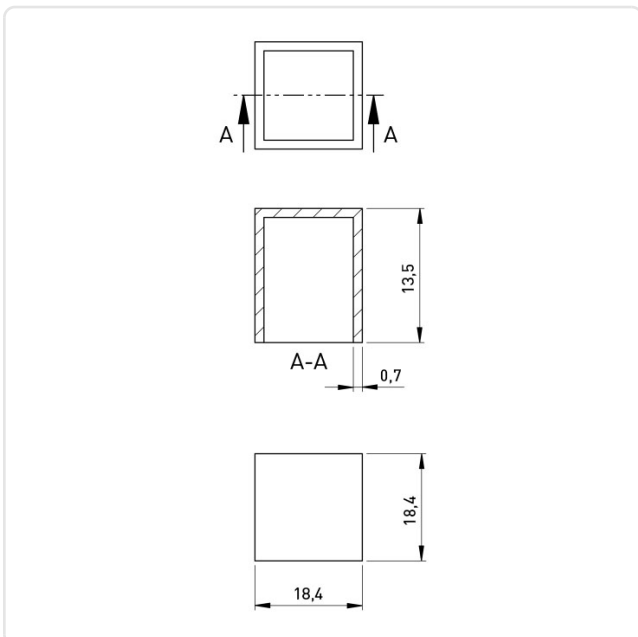


Image may be similar



Color: Black
Flammability Class: UL94-V2
Height [mm]: 13.5
Length [mm]: 18.4
Material: PA 6.6
Material Group: Plastic
Model: Enclosure without Base Plate
Width [mm]: 18.4
Weight: 0.98g
Conformities:



You can find all
information on the web on
our article detail page

Would you like individual advice?

We look forward to your email to products@ettinger.de.

Subject to change and errors.