

Article datasheet

Fabric protective hose

Article-No.: 014.75.140

Manufacturer: SES-Sterling

Manufacturer article-no.: 0819 0029 010



Image may be similar

Bundle Diameter [mm]: 20,0-60,0

Color: Black

Material: PE - Polyethylene

Model: Spiral Cable Wrap

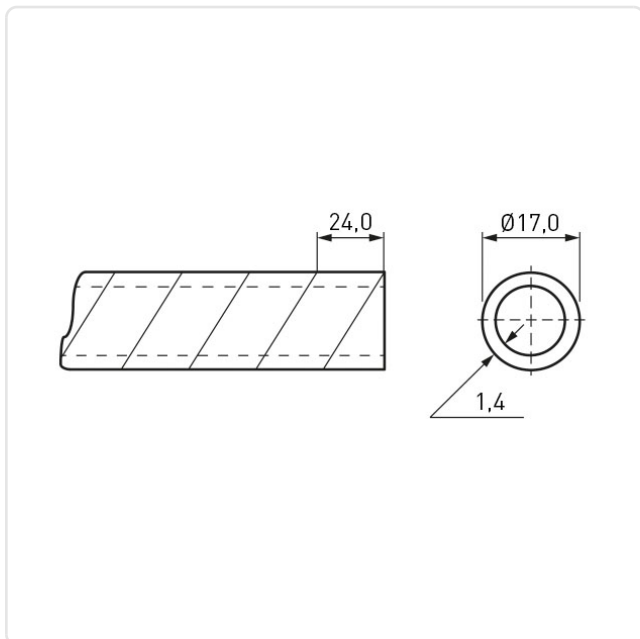
Reel length [m]: 30

Weight: 1600g

Conformities:



You can find all
information on the web on
our article detail page



Would you like individual advice?

We look forward to your email to products@ettinger.de.

Subject to change and errors.