

Article datasheet

Rivet Threaded for sheet thickness: 1,3 - 1,6 mm

Article-No.: 005.60.838

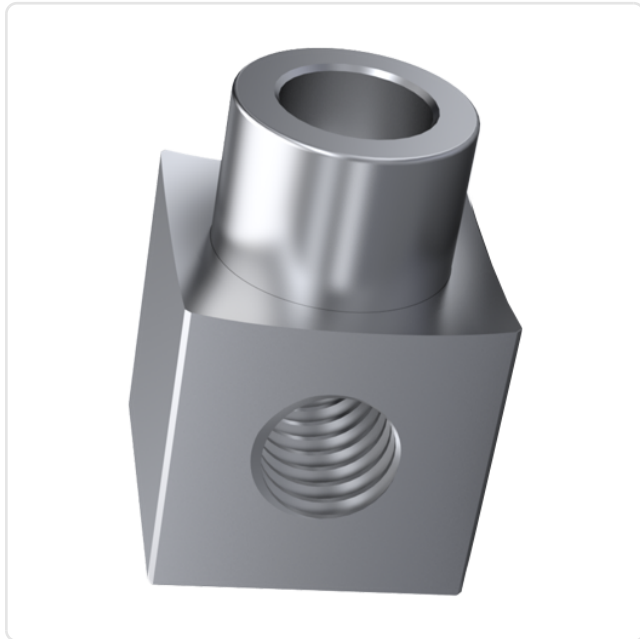
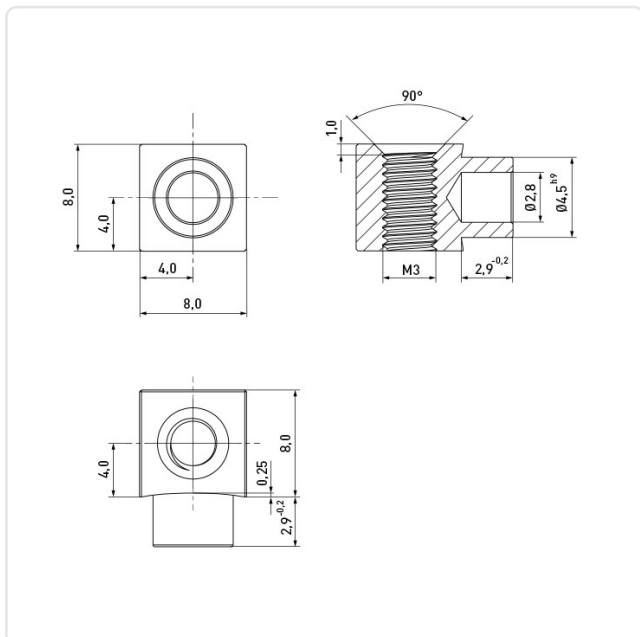


Image may be similar

Finish: Plain
Length [mm]: 10.9
Material: Aluminum ENAW-2011 / AlCu6BiPb
Panel Thickness [mm]: 1,3 - 1,6
Thread 1 / Hole 1: M3
Thread 1 Length [mm]: 8
Thread 2 / Hole 2: $\varnothing 2,8$
Thread 2 Length [mm]: 2.9
Weight: 1.35g
Conformities:



You can find all
information on the web on
our article detail page



Would you like individual advice?

We look forward to your email to products@ettinger.de.

Subject to change and errors.