

Article datasheet

## Batteryholder 1x "AA" Mignon cell Valox UL94-V0/Front panel mounting

Article-No.: 015.31.117

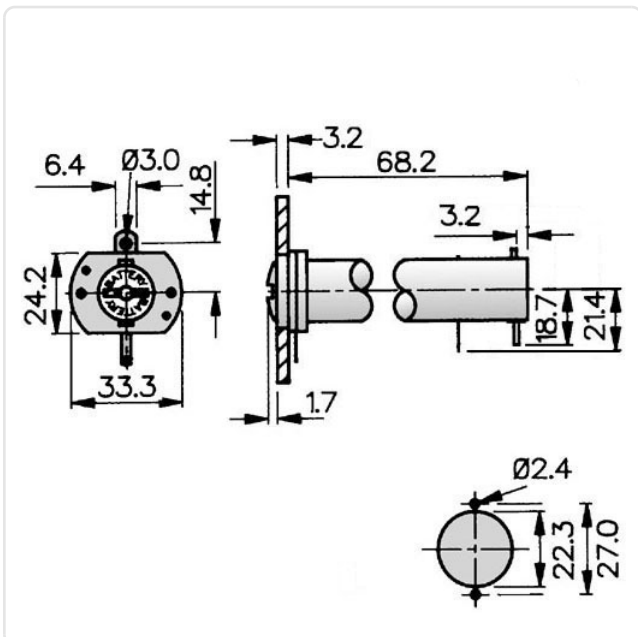


Image may be similar

Battery Type: AA-Mignon  
 Flammability Class: UL94-V0  
 Length [mm]: 68.2  
 Material: Plastic  
 Model: Solder Tag Connection  
 No. Cells: 1  
 Weight: 18.9g  
 Conformities:



You can find all information on the web on our article detail page



Would you like individual advice?

We look forward to your email to [products@ettinger.de](mailto:products@ettinger.de).

Subject to change and errors.