

Article datasheet

## Standoff Nickel-Plated Brass M/F AF4x5 F=M2x2.8 M=M2x6 w/ Undercut

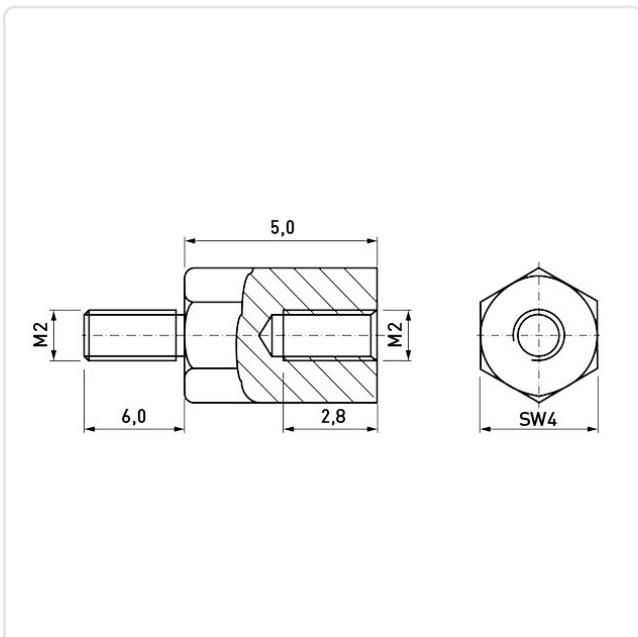
Article-No.: 005.10.053



AF / OD [mm]:	4
Female Thread Length [mm]:	2.8
Female Thread Size:	M2
Finish:	Nickel-Plated, 3 µm, E1E
Length [mm]:	5
Male Thread Length [mm]:	6
Male Thread Size:	M2
Material:	Brass CW614N / CuZn39Pb3
Material Group:	Messing
Profile:	Hexagonal
Undercut:	Yes
Weight:	0.8g
Conformities:	



Image may be similar



You can find all  
information on the web on  
our article detail page

Would you like individual advice?

We look forward to your email to [products@ettinger.de](mailto:products@ettinger.de).

Subject to change and errors.