

Article datasheet

Micro Wire Saddle MWSET1 4.8mm PA6.6 natural RMS01 UL94-V2 E70062

Article-No.: 072.78.726

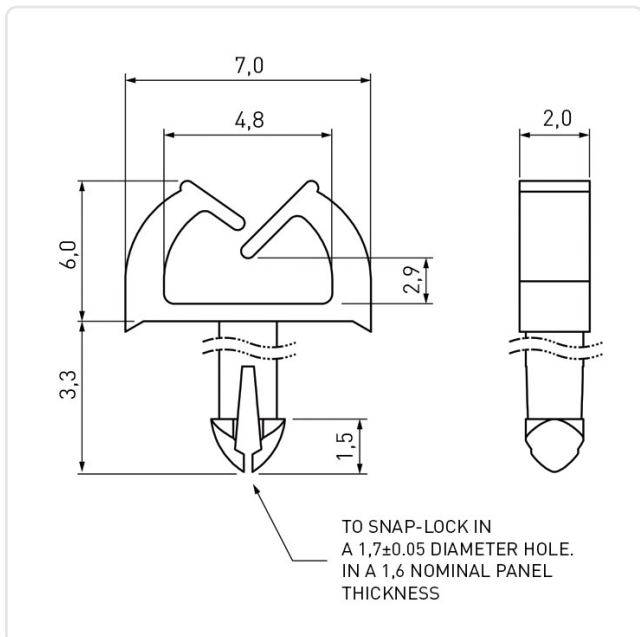


Image may be similar

Bundle Diameter [mm]: 2,0-5,0
Color: Natural
Height [mm]: 6
Material: PA 6.6
Mounting Hole [mm]: 1.7
Panel Thickness [mm]: max. 1,6mm
Width [mm]: 7
Weight: 0.05g
Conformities:



You can find all information on the web on our article detail page



Would you like individual advice?

We look forward to your email to products@ettinger.de.

Subject to change and errors.