

Article datasheet

**Insulated Standoff PBS-Steel M/F AF9x40 | F=M4x7 M=M4x7**

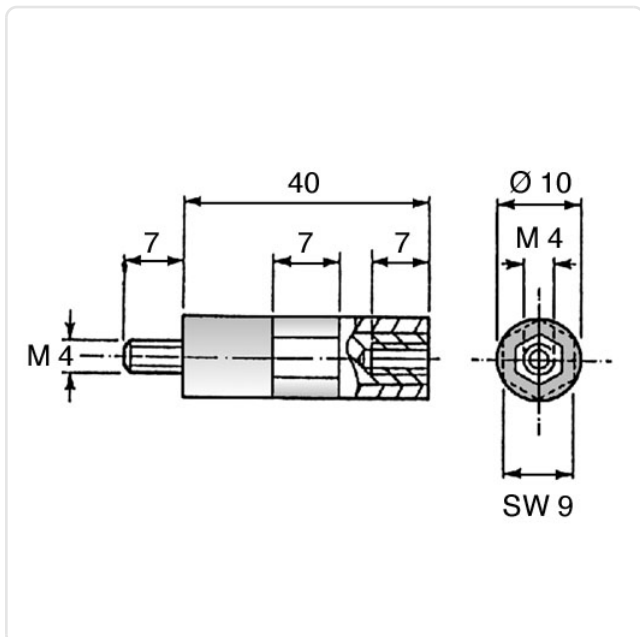
Article-No.: 005.35.440



|                            |                  |
|----------------------------|------------------|
| AF / OD [mm]:              | 9                |
| Female Thread Length [mm]: | 7                |
| Female Thread Size:        | M4               |
| Flammability Class:        | UL94-HB          |
| Length [mm]:               | 40               |
| Male Thread Length [mm]:   | 7                |
| Male Thread Size:          | M4               |
| Material:                  | PS - Polystyrene |
| Material Group:            | Plastic          |
| Profile:                   | Hexagonal        |
| Thread Insert Material:    | Steel            |
| Weight:                    | 5.2g             |
| Conformities:              |                  |



Image may be similar



You can find all information on the web on our article detail page

Would you like individual advice?  
We look forward to your email to [products@ettinger.de](mailto:products@ettinger.de).

Subject to change and errors.