

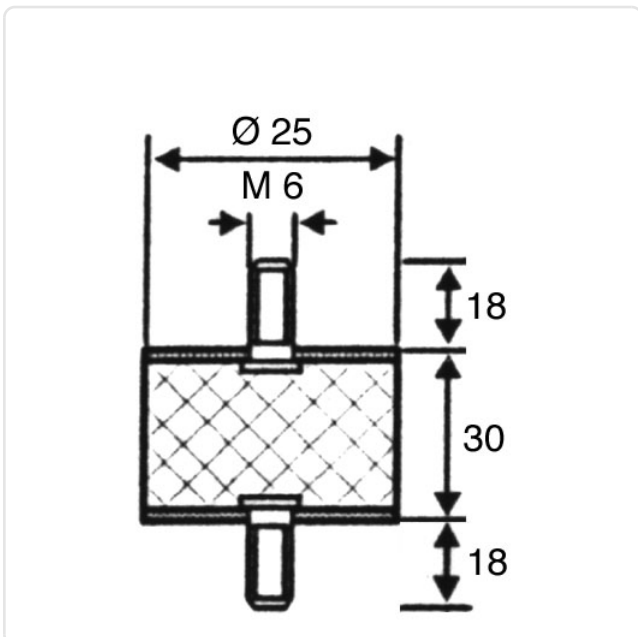
Article datasheet

Vibration Mount, cylindrical / Outside/Outside Thread

Article-No.: 071.33.698



Image may be similar



| | |
|--------------------------|-----------------------------|
| Diameter [mm]: | 25 |
| Finish: | Galvanized, Blue, 5 µm, A2K |
| Height [mm]: | 30 |
| Male Thread Length [mm]: | 18 |
| Material: | Natural Rubber |
| Material Group: | Plastic |
| Shore-Hardness: | Grade of Hardness 55-57° |
| Thread Size: | M6 |
| Weight: | 35.48g |
| Conformities: | |



You can find all information on the web on our article detail page

Would you like individual advice?

We look forward to your email to products@ettinger.de.

Subject to change and errors.