

Article datasheet

Press Nut M2.5 | SW5.5x3.0 Galvanized Steel

Article-No.: 002.14.121

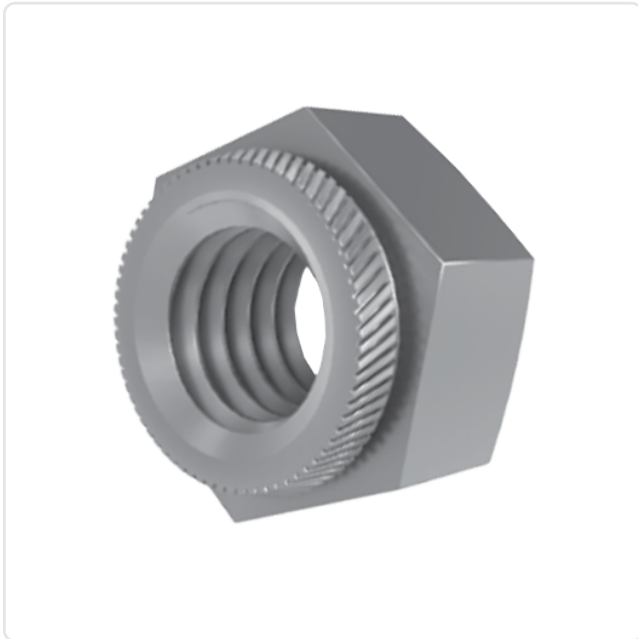



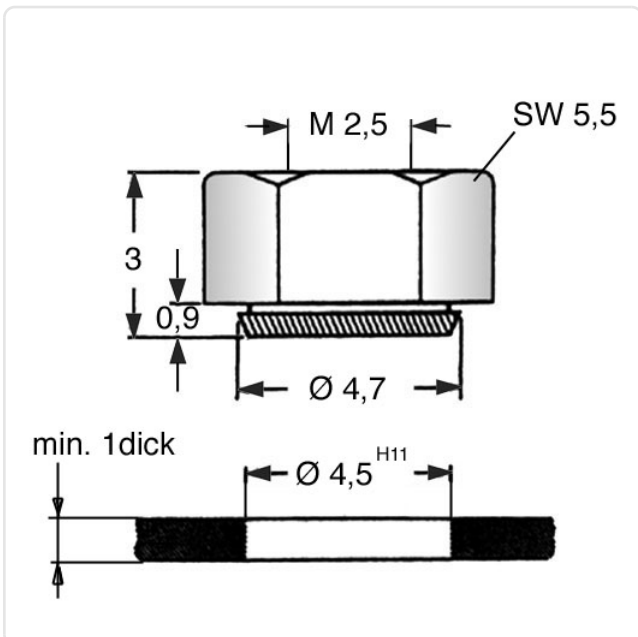


Image may be similar

AF / OD [mm]:	5.5
Finish:	Galvanized, Blue, 5 µm, A2K
Height [mm]:	3
Material:	Steel
Material Group:	Stahl
Panel Hole Ø [mm]:	4.5
Panel Thickness [mm]:	1
Thread Size:	M2.5
Weight:	0.41g
Conformities:	  



You can find all information on the web on our article detail page



Would you like individual advice?

We look forward to your email to products@ettinger.de.

Subject to change and errors.