

Article datasheet

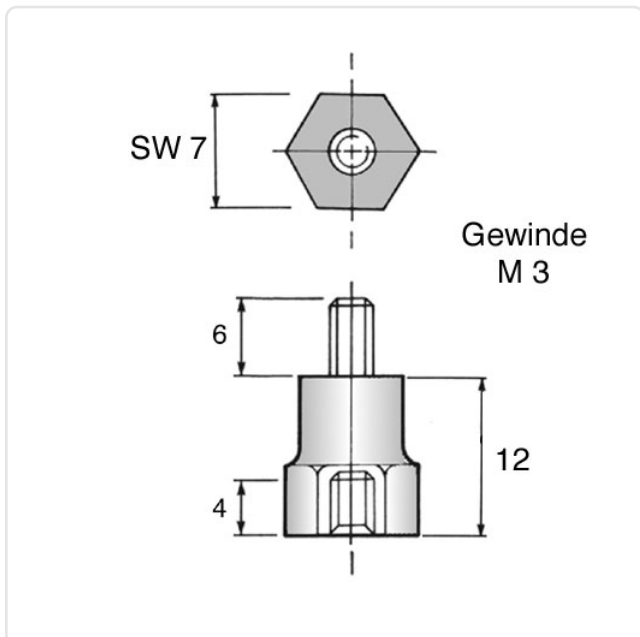
## Insulated Standoff PA-Brass M/F AF7x12 | F=M3x4 M=M3x6

Article-No.: 005.41.939



Image may be similar

AF / OD [mm]:	7
Female Thread Length [mm]:	4
Female Thread Size:	M3
Flammability Class:	UL94-HB
Length [mm]:	12
Male Thread Length [mm]:	6
Male Thread Size:	M3
Material:	PA 6.6
Material Group:	Kunststoff
Profile:	Hexagonal
Thread Insert Material:	Brass
Weight:	1.13g
Conformities:	



You can find all information on the web on our article detail page

Would you like individual advice?

We look forward to your email to [products@ettinger.de](mailto:products@ettinger.de).

Subject to change and errors.