

Article datasheet

## PCB Support 3.0 w/ Grounding Connection Polyamide 6.6 natural

Article-No.: 006.97.030

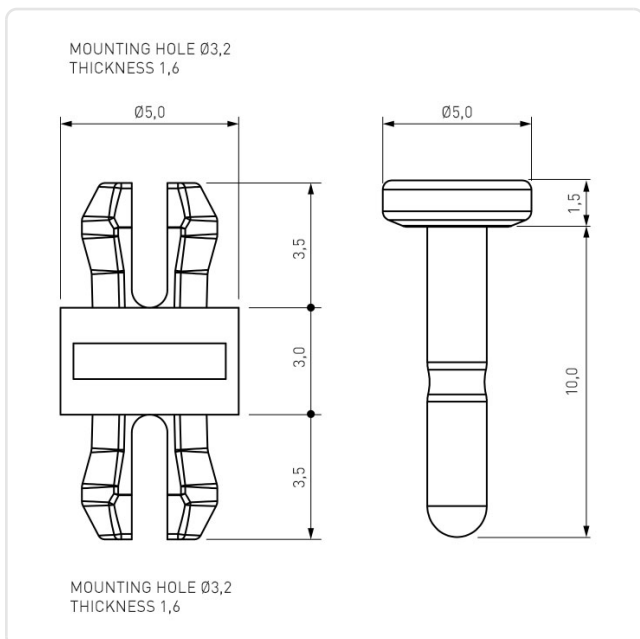


Image may be similar

Color: Natural  
 Flammability Class: UL94-V2  
 Length [mm]: 3  
 Material: PA 6.6  
 PCB Hole Ø [mm]: 3.2  
 PCB Thickness [mm]: 1,6  
 Panel Hole Ø [mm]: 3.2  
 Panel Thickness [mm]: 1,6  
 Conformities:



You can find all information on the web on our article detail page



Would you like individual advice?

We look forward to your email to [products@ettinger.de](mailto:products@ettinger.de).

Subject to change and errors.