

Article datasheet

Split Washer DIN127 B Ø8.1/14.8 x 2.0 Galvanized Spring Steel

Article-No.: 003.63.081

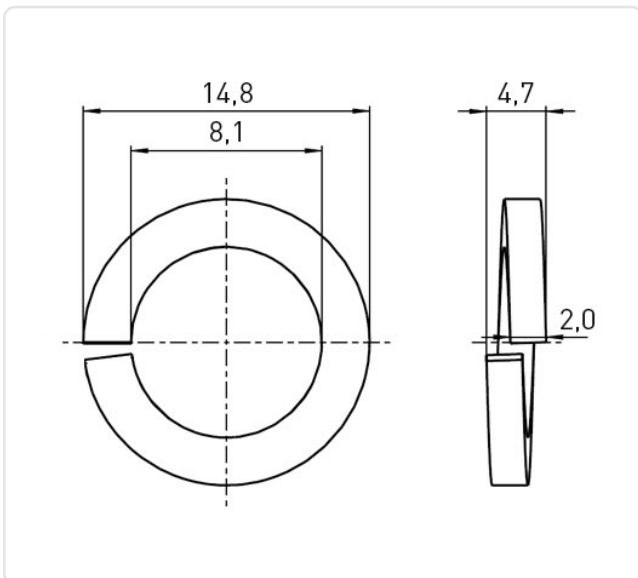


Image may be similar

| | |
|----------------------|-----------------------------|
| DIN/ISO: | DIN127B |
| Finish: | Galvanized, Blue, 5 µm, A2K |
| For Thread Size: | M8 |
| Height [mm]: | 2 |
| Inner Diameter [mm]: | 8.1 |
| Material: | Spring Steel |
| Material Group: | Steel |
| Outer Diameter [mm]: | 14.8 |
| Weight: | 1.42g |
| Conformities: | |



You can find all information on the web on our article detail page



Would you like individual advice?

We look forward to your email to products@ettinger.de.

Subject to change and errors.