

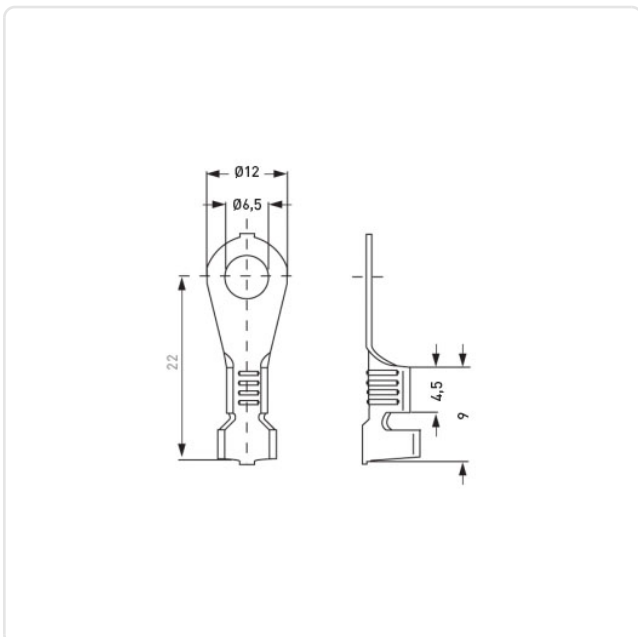
Article datasheet

Ring Terminal DIN 46225 A6-2.5mm² Brass tinned - outer dia \varnothing 12.0mm

Article-No.: 018.05.265



Image may be similar



DIN/ISO: DIN46225
Material: Electrolytic Copper
Outer Diameter [mm]: 12
Wire Cross Section [mm²]: 1.5-2.5
Weight: 1.07g
Conformities:



You can find all
information on the web on
our article detail page

Would you like individual advice?

We look forward to your email to products@ettinger.de.

Subject to change and errors.