

Article datasheet

PCB Support 4.8 | \varnothing 4.8 | \varnothing 3.3 Polyamide 6.6 natural

Article-No.: 006.79.204

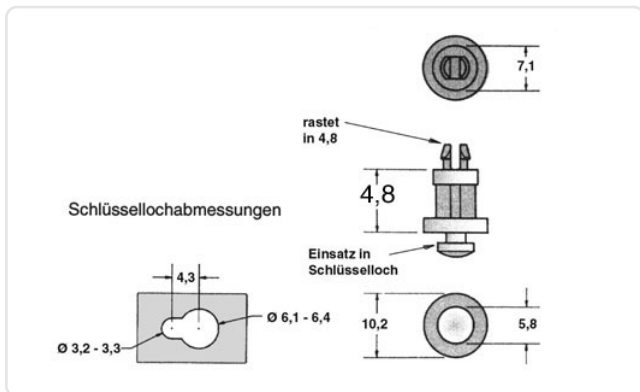


Image may be similar

Color: Natural
 Flammability Class: UL94-V2
 Length [mm]: 4.8
 Material: PA 6.6
 PCB Hole \varnothing [mm]: 4.8
 PCB Thickness [mm]: 1,6
 Panel Hole \varnothing [mm]: 6.4
 Panel Thickness [mm]: 1,6
 Weight: 0.37g
 Conformities:



You can find all information on the web on our article detail page



Would you like individual advice?

We look forward to your email to products@ettinger.de.

Subject to change and errors.