

Article datasheet

Heat Shrink Low Temperatur 80°C Polyolefin,black

Article-No.: 037.80.064

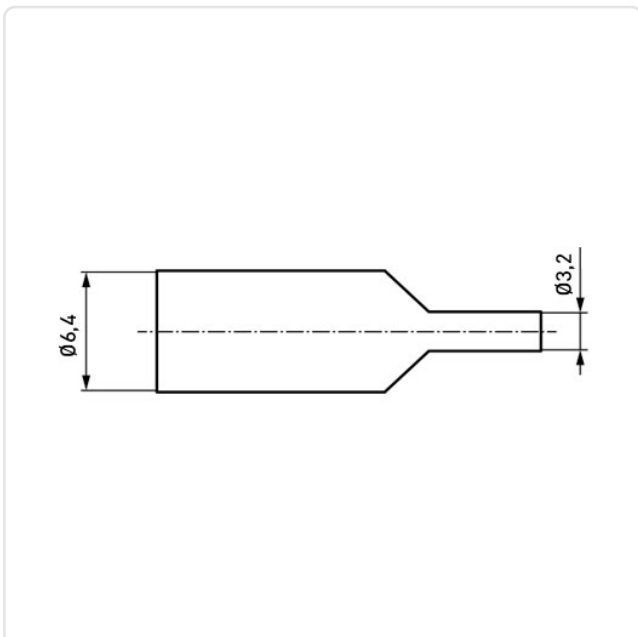


Image may be similar

Color:	Black
Diameter [mm]:	6.4
Material:	Polyolefin
Maximum recovered [mm]:	3.2
Model:	Shrink Rate 2:1
Reel length [m]:	150
Weight:	949g
Conformities:	



You can find all
information on the web on
our article detail page



Would you like individual advice?

We look forward to your email to products@ettinger.de.

Subject to change and errors.