

Article datasheet

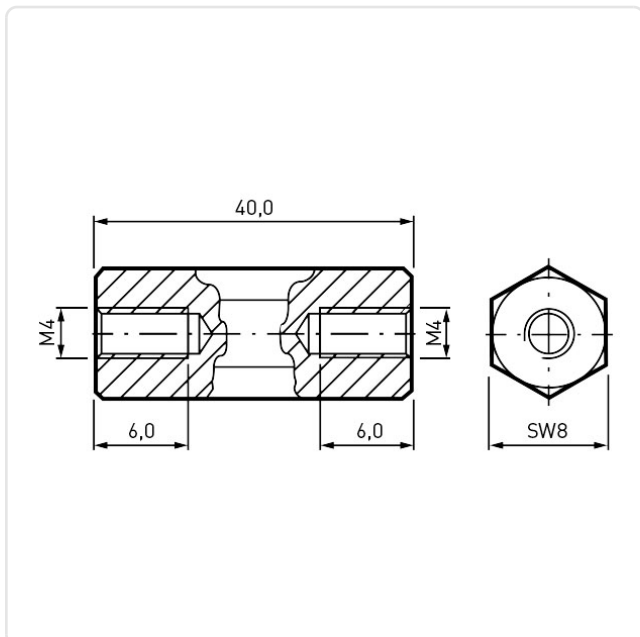
## Insulated Standoff PA-Brass F/F AF8x40 | Thread M4x6 / M4x6

Article-No.: 005.57.440



Image may be similar

AF / OD [mm]: 8  
Flammability Class: UL94-V2  
Length [mm]: 40  
Material: PA 6.6  
Material Group: Kunststoff  
Profile: Hexagonal  
Thread 1 Length [mm]: 6  
Thread 1 Size: M4  
Thread 2 Length [mm]: 6  
Thread 2 Size: M4  
Thread Insert Material: Brass  
Weight: 3.34g  
Conformities:



You can find all  
information on the web on  
our article detail page

Would you like individual advice?

We look forward to your email to [products@ettinger.de](mailto:products@ettinger.de).

Subject to change and errors.