

Article datasheet

Fast On DIN 46247 2.8x0.5mm PVC yellow 0.1-0.5mm² AWG26-22

Article-No.: 012.25.104

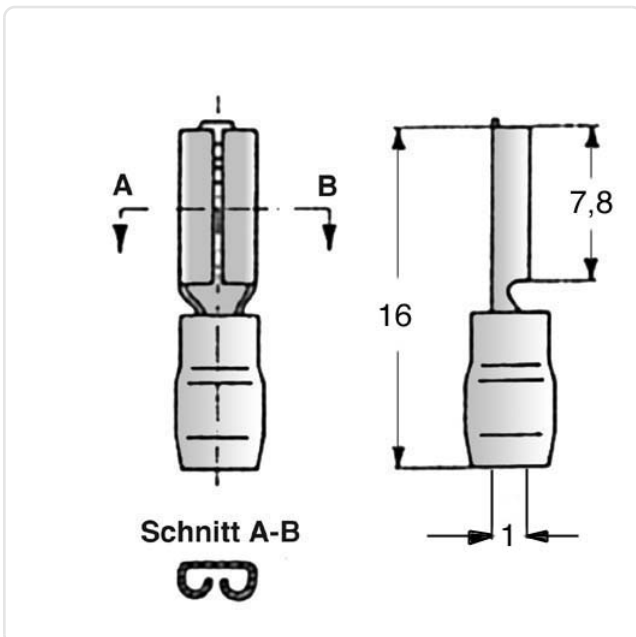


Image may be similar

| | |
|--|------------|
| Color: | Yellow |
| DIN/ISO: | DIN46247 |
| Finish: | Tin-Plated |
| Insulation: | PVC |
| Length [mm]: | 16 |
| Material: | Brass |
| Material Group: | Messing |
| Size [mm]: | 2.8x0.5 |
| Wire Cross Section [mm ²]: | 0.1-0.5 |
| Weight: | 0.36g |
| Conformities: | |



You can find all
information on the web on
our article detail page



Would you like individual advice?
We look forward to your email to products@ettinger.de.

Subject to change and errors.