

Article datasheet

**Anti-Kink Sleeve  $\varnothing 6.0/5.5/1.8 \times 46 \text{mm}$  PVC black UL94-V2  $-30^{\circ}/+60^{\circ}\text{C}$**

Article-No.: 014.02.485

Manufacturer: Hellermann

Manufacturer article-no.: 634-03210

HellermannTyton

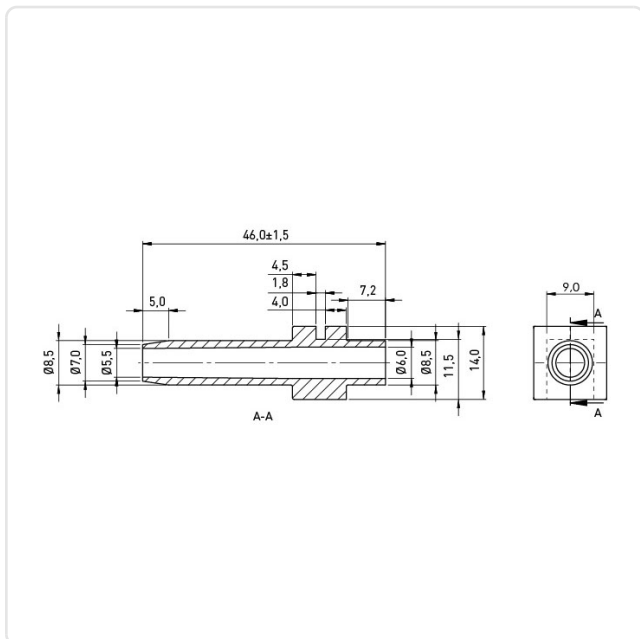


Image may be similar

Color: Black  
 Inner Diameter [mm]: 6  
 Material: PVC - Polyvinyl Chloride  
 Material Group: Plastic  
 Panel Thickness [mm]: 1,8  
 Weight: 3.16g  
 Conformities:



You can find all information on the web on our article detail page



Would you like individual advice?

We look forward to your email to [products@ettinger.de](mailto:products@ettinger.de).

Subject to change and errors.