

Article datasheet

Short Circuit Bridge "Jumper" 2.54mm Phosphorbronze, gold plated/red

Article-No.: 013.54.272

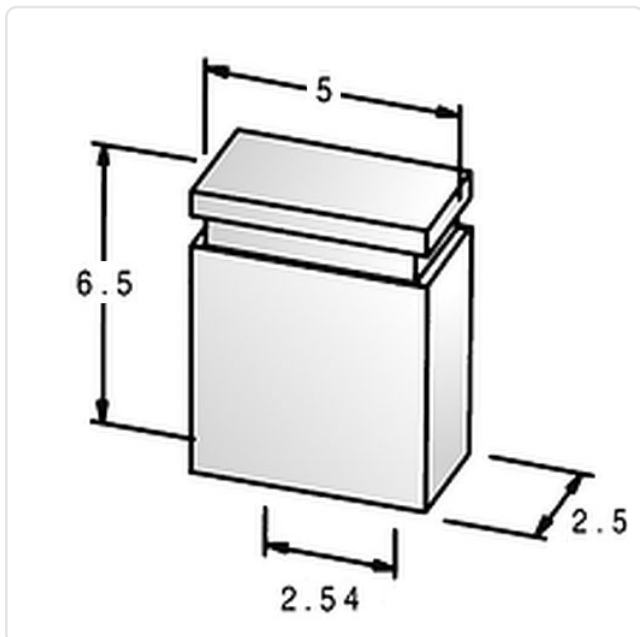


Image may be similar

Finish: Gold-Plated
Grid [mm]: 2.54
Material: Phosphor Bronze
Material Group: Bronze
Plug-In Length [mm]: 5.8
Weight: 0.11g
Conformities:



You can find all information on the web on our article detail page



Would you like individual advice?

We look forward to your email to products@ettinger.de.

Subject to change and errors.