

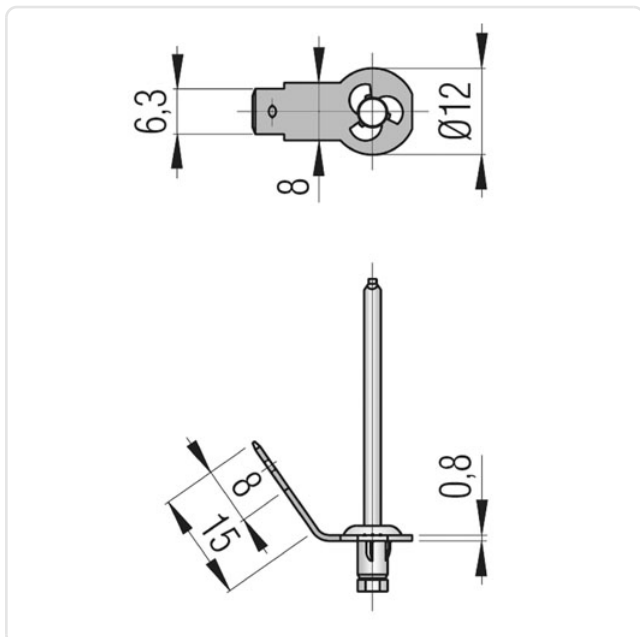
Article datasheet

## Blade Terminal 1x 6.3x0.8 | Riveting Plain Brass

Article-No.: 019.67.017



Image may be similar



Finish:	Plain
Material:	Brass
Material Group:	Brass
Mounting Hole [mm]:	5.2
Panel Thickness [mm]:	0,6-2,0
Plug-In Length [mm]:	7.8
Size [mm]:	6.3x0.8
Tabs:	1
Weight:	3.8g
Conformities:	



You can find all information on the web on our article detail page

Would you like individual advice?

We look forward to your email to [products@ettinger.de](mailto:products@ettinger.de).

Subject to change and errors.