

Article datasheet

PC Mount Screw Terminal M4 max. 30A Brass tinned - without screw !

Article-No.: 013.44.684

Manufacturer: Keystone Electronics

Manufacturer article-no.: 7798

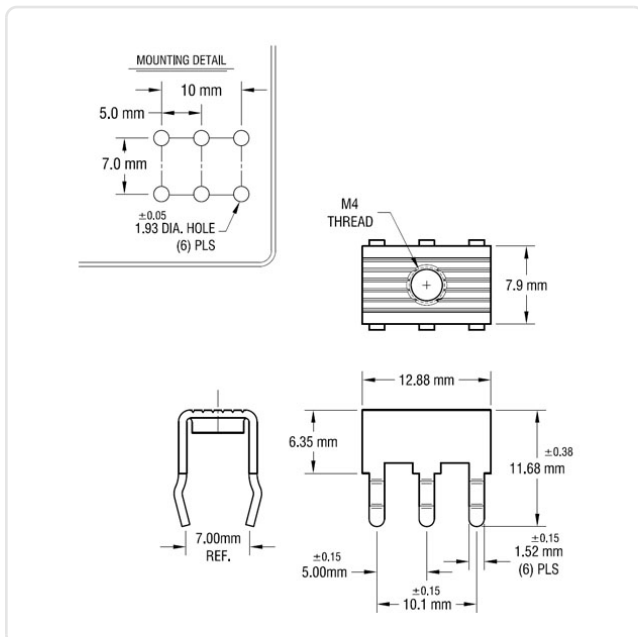


Image may be similar

Amperage [A]: 30
 Finish: Tin-Plated
 Grid [mm]: 5.0
 Material: Brass
 Material Group: Brass
 PCB Hole Ø [mm]: 1.93
 Thread Size: M4
 Weight: 1.81g
 Conformities:



You can find all information on the web on our article detail page



Would you like individual advice?

We look forward to your email to products@ettinger.de.

Subject to change and errors.