

Article datasheet

## PC Mount Screw Terminal M3 Brass tinned

Article-No.: 013.20.314

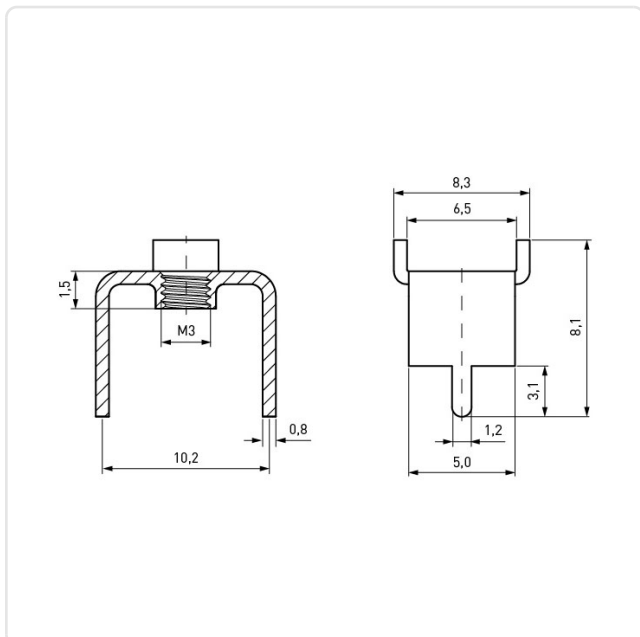


Image may be similar

Finish: Tin-Plated  
Grid [mm]: 10.2  
Material: Brass  
Material Group: Brass  
PCB Hole Ø [mm]: 1.2  
Thread Size: M3  
Weight: 0.81g  
Conformities:



You can find all information on the web on our article detail page



Would you like individual advice?

We look forward to your email to [products@ettinger.de](mailto:products@ettinger.de).

Subject to change and errors.