

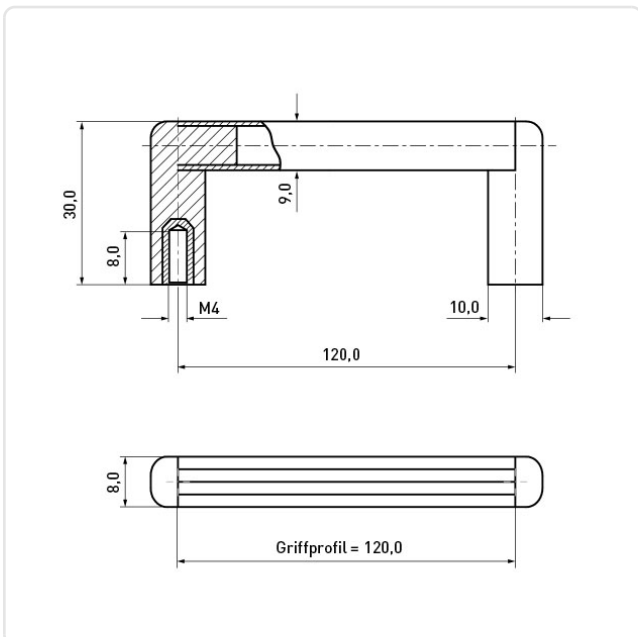
Article datasheet

Handle Type UG-01 120/30/8mm M4 Aluminium natural

Article-No.: 029.13.411



Image may be similar



Dist. Mounting Holes [mm]:	120
Finish:	Anodized, Clear
Height [mm]:	30
Material:	Aluminum ENAW-5754 / AlMg3, lead-free
Material Group:	Aluminum
Model:	Equipment Handle
Thread Size:	M4
Weight:	23g
Conformities:	



You can find all information on the web on our article detail page

Would you like individual advice?

We look forward to your email to products@ettinger.de.

Subject to change and errors.