

Article datasheet

## Butt Connector DIN 46341 6-10mm<sup>2</sup> Copper tinned without insulation

Article-No.: 018.73.065

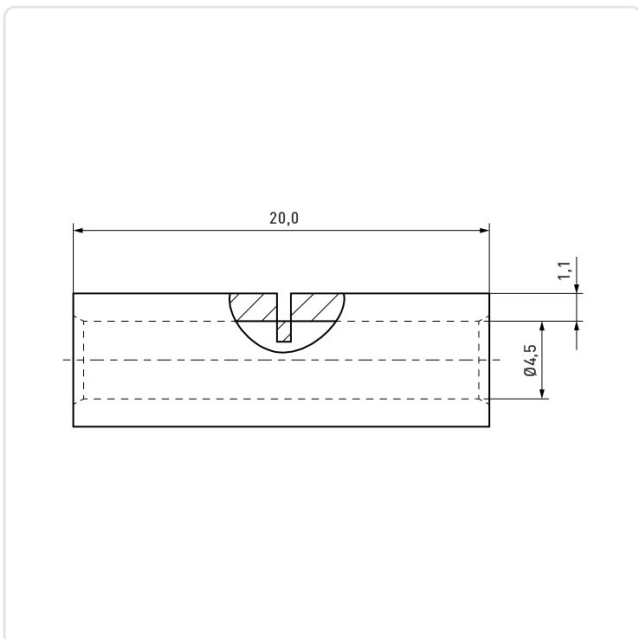


Image may be similar

DIN/ISO:	DIN46341
Finish:	Tin-Plated
Length [mm]:	20
Material:	Electrolytic Copper
Wire Cross Section [mm <sup>2</sup> ]:	6.0-10
Weight:	3.13g
Conformities:	



You can find all information on the web on our article detail page



Would you like individual advice?

We look forward to your email to [products@ettinger.de](mailto:products@ettinger.de).

Subject to change and errors.