

Article datasheet

Cable Lug Pin Type DIN 46231A PVC blue copper tinned 1.5-2.5mm²

Article-No.: 018.53.216

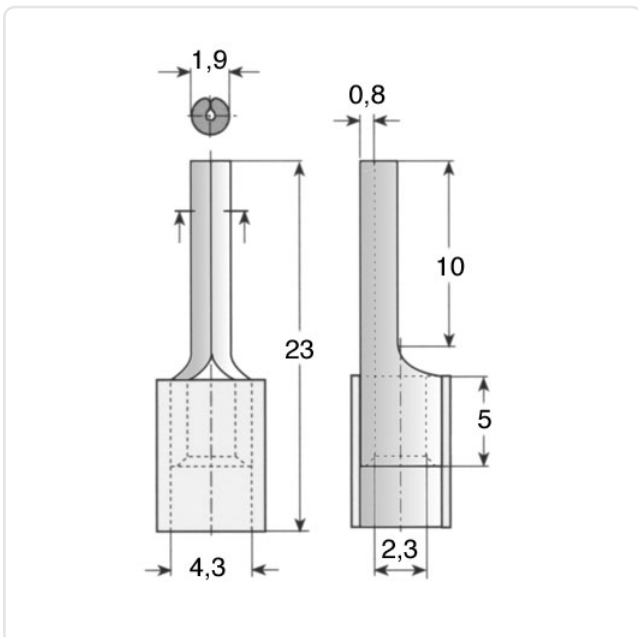


Image may be similar

Color:	Blue
DIN/ISO:	DIN46231-A
Finish:	Tin-Plated
Insulation:	PVC
Material:	Electrolytic Copper
Outer Diameter [mm]:	1.9
Wire Cross Section [mm ²]:	1.5-2.5
Weight:	0.89g
Conformities:	



You can find all information on the web on our article detail page



Would you like individual advice?

We look forward to your email to products@ettinger.de.

Subject to change and errors.