

Article datasheet

Solderless Terminal DIN46237 for M5-1mm² Polyamid red UL-E329382 0.5-1.0mm²

Article-No.: 018.31.552

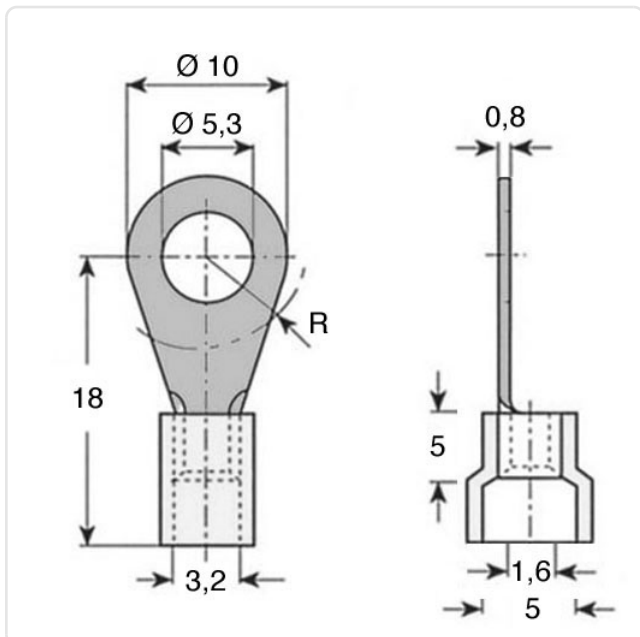


Image may be similar

Color:	Red
DIN/ISO:	DIN46237-A
For Thread Size:	M5
Insulation:	Polyamide
Material:	Electrolytic Copper
Outer Diameter [mm]:	10
Wire Cross Section [mm ²]:	0.5-1.0
Weight:	0.94g
Conformities:	



You can find all information on the web on our article detail page



Would you like individual advice?

We look forward to your email to products@ettinger.de.

Subject to change and errors.