

Article datasheet

Batteryholder 1xMono Cell (D) Polyamid-GF black UL94-V0

Article-No.: 015.51.111

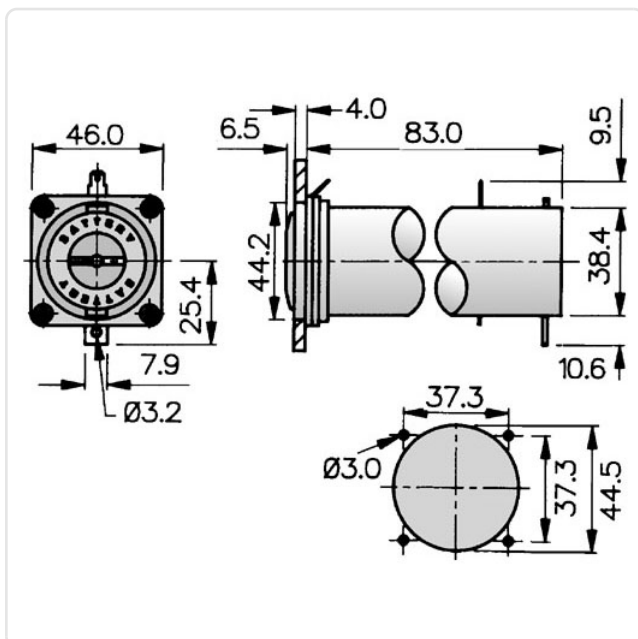


Image may be similar

Battery Type: D-Mono
 Material: PA 6.0 25% GF
 Material Group: Plastic
 Model: Solder Tag Connection
 No. Cells: 1
 Weight: 50.2g
 Conformities:



You can find all information on the web on our article detail page



Would you like individual advice?

We look forward to your email to products@ettinger.de.

Subject to change and errors.