

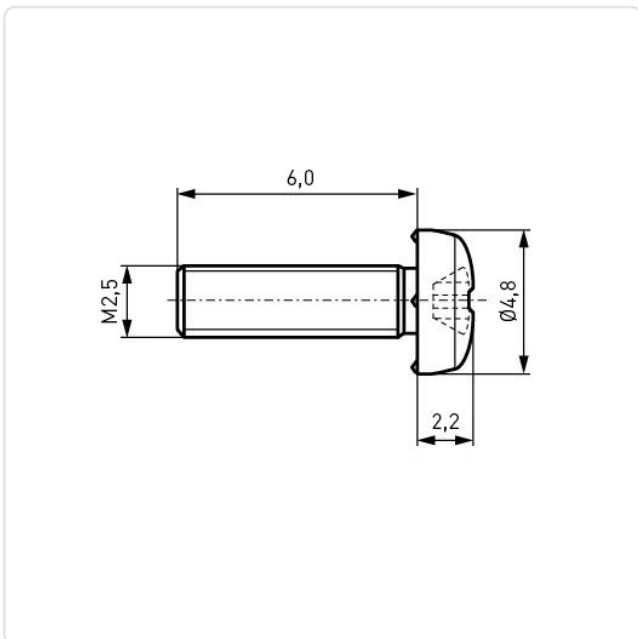
Article datasheet

Flat Head Screw M2.5x6 with Whiz-Lock Galvanized Steel 4.8 C/R Pozidriv

Article-No.: 001.78.221



Image may be similar



| | |
|---------------------|-----------------------------|
| Actuator Size: | Pozidriv PZ1 |
| Drive Type: | Cross Recess / Pozidriv-Z |
| Finish: | Galvanized, Blue, 5 µm, A2K |
| Head Diameter [mm]: | 5 |
| Head Height [mm]: | 2 |
| Head Shape: | Pan Head |
| Length [mm]: | 6 |
| Material: | Steel 4.8, lead-free |
| Material Group: | Stahl |
| Thread Size: | M2.5 |
| Weight: | 0.38g |
| Conformities: | |



You can find all information on the web on our article detail page

Would you like individual advice?

We look forward to your email to products@ettinger.de.

Subject to change and errors.