

Article datasheet

Front panel for combi desk case

Article-No.: 091.84.001

Manufacturer: OKW Gehäusesysteme

Manufacturer article-no.: A91.84.001

OKW
GEHÄUSE
SYSTEME

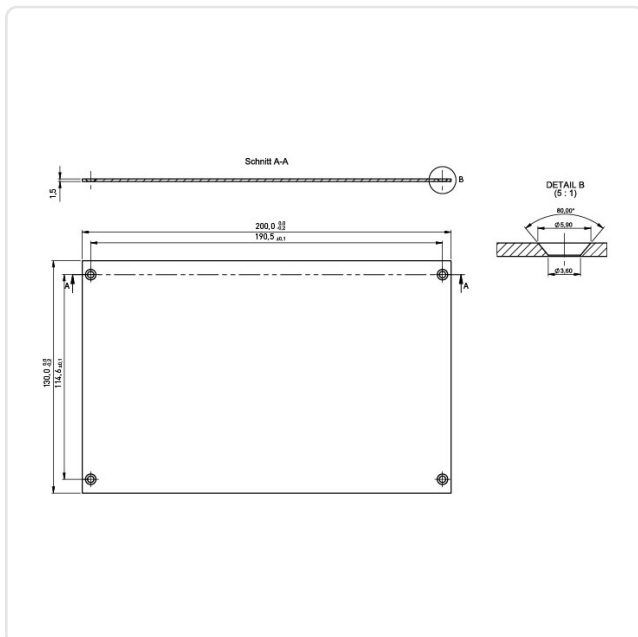


Image may be similar

Height [mm]: 130
Length [mm]: 1.5
Material: Aluminum ENAW-6060 / AlMgSi, lead-free
Material Group: Aluminum
Model: Desk Enclosure
Width [mm]: 200
Weight: 114g
Conformities:



You can find all
information on the web on
our article detail page



Would you like individual advice?

We look forward to your email to products@ettinger.de.

Subject to change and errors.