

Article datasheet

Cable Terminal 6-1.0mm² for M6 Polyamid red UL listed E329382

Article-No.: 018.31.562

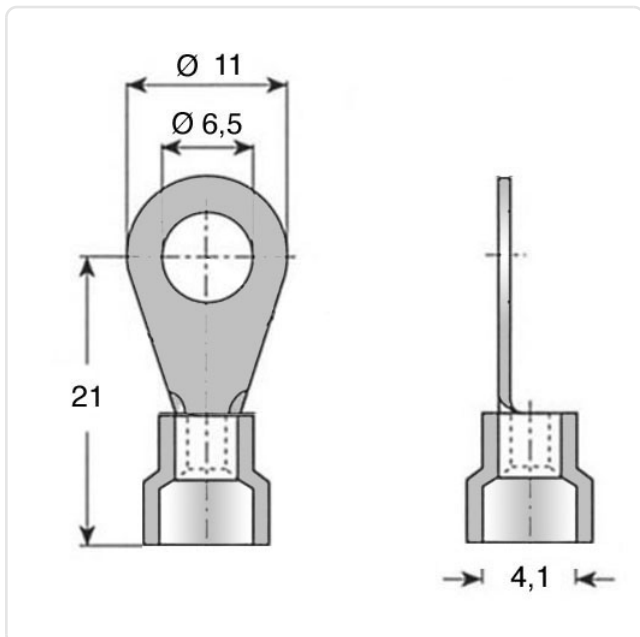


Image may be similar

Color:	Red
DIN/ISO:	DIN46237-A
For Thread Size:	M6
Insulation:	Polyamide
Material:	Electrolytic Copper
Outer Diameter [mm]:	11
Wire Cross Section [mm ²]:	0.5-1.0
Weight:	1.04g
Conformities:	



You can find all information on the web on our article detail page



Would you like individual advice?

We look forward to your email to products@ettinger.de.

Subject to change and errors.