

Article datasheet

Cable Gland PG7 with antikink clamping range 2.5-6.5mm PA grey

Article-No.: 014.20.027

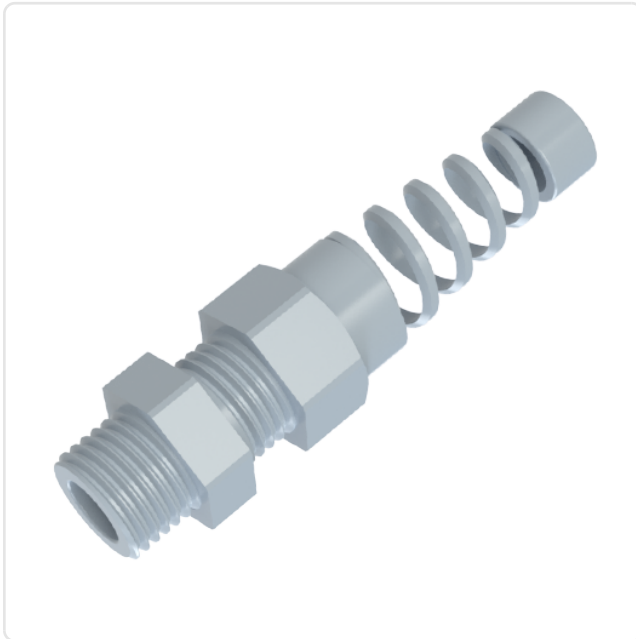


Image may be similar

AF / OD [mm]:	15
Color:	Gray
Material:	PA 6.0
Material Group:	Plastic
Model:	With Bend Protection
Mounting Hole [mm]:	13
Panel Thickness Range [mm]:	2.5-6.5
Protection Code:	IP68
Thread Size:	PG7
Weight:	4.7g
Conformities:	



You can find all
information on the web on
our article detail page

Would you like individual advice?

We look forward to your email to products@ettinger.de.

Subject to change and errors.

