

Article datasheet

Ring for cap M5 Polyamid 6,natural

Article-No.: 003.14.905

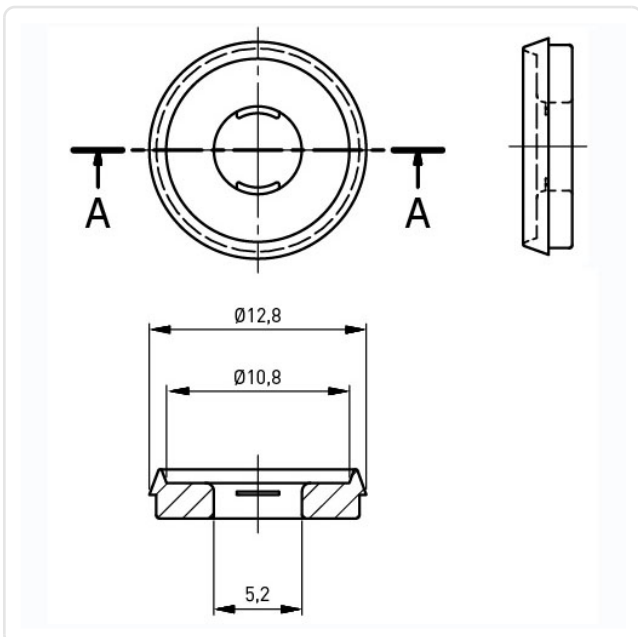


Image may be similar

Color: Natural
Inner Diameter [mm]: 5.3
Material: PA 6.0
Material Group: Plastic
Model: Holding Ring for Cover Cap
Outer Diameter [mm]: 12.8
Weight: 0.26g
Conformities:



You can find all
information on the web on
our article detail page



Would you like individual advice?

We look forward to your email to products@ettinger.de.

Subject to change and errors.